

ELEMENT 4" Pro Premium Hanger Bar for Fixed/Wall Wash

1.0

VISUAL COMFORT & Co.

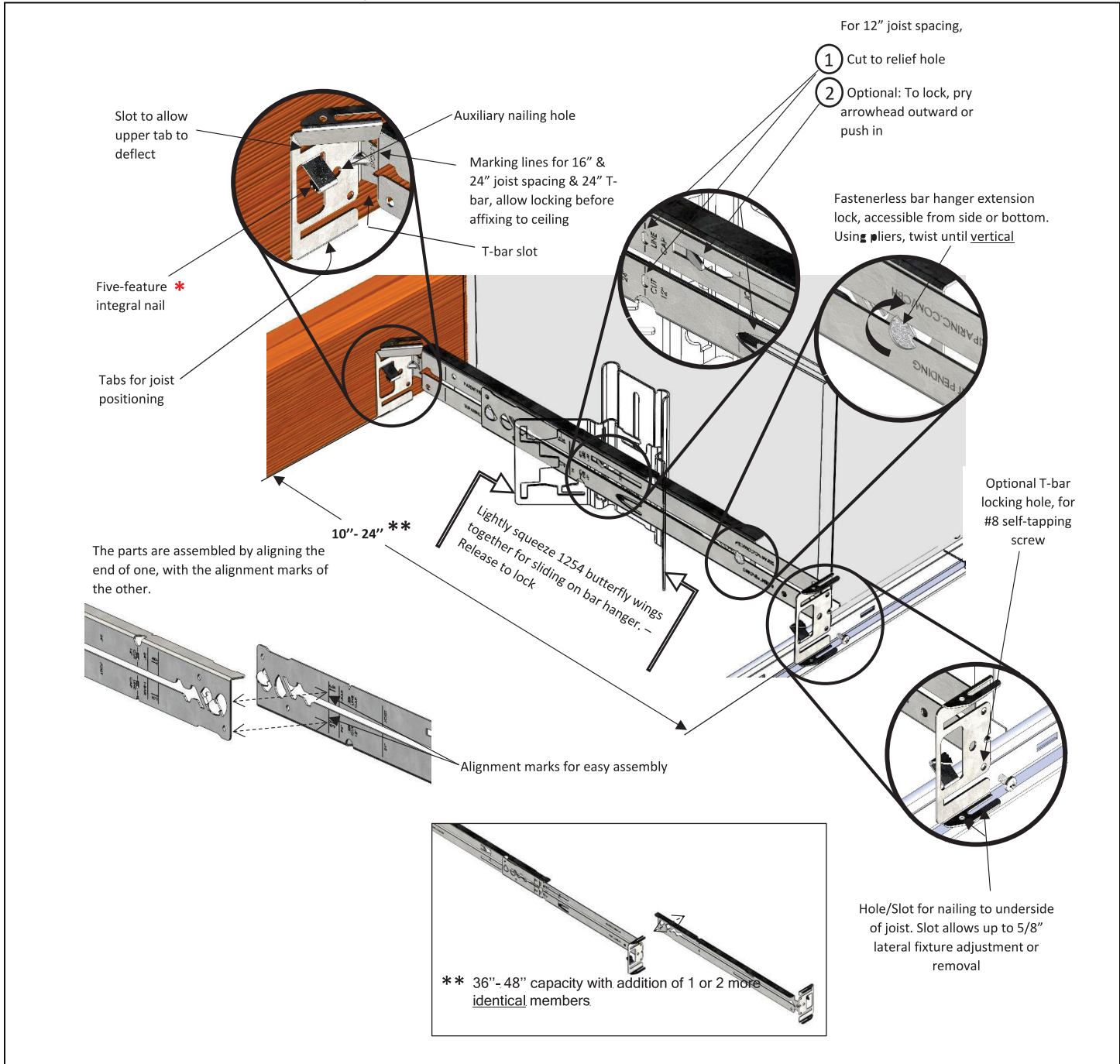
ARCHITECTURAL COLLECTION

Hanger Bar Feature Overview

- L-shaped cross section for each member, when assembled together provides a 1/2" X 1 1/2" C-Channel shaped profile for superior rigidity.
- Consists of two identical parts in all aspects, therefore interchangeable.
- Fits into C-Channel notches in Tripar 1254 Butterfly Bracket.
- Retains most of the features present on the famous 1287 bar hanger.
- Item # 1487 - Four L-Bars required per fixture.

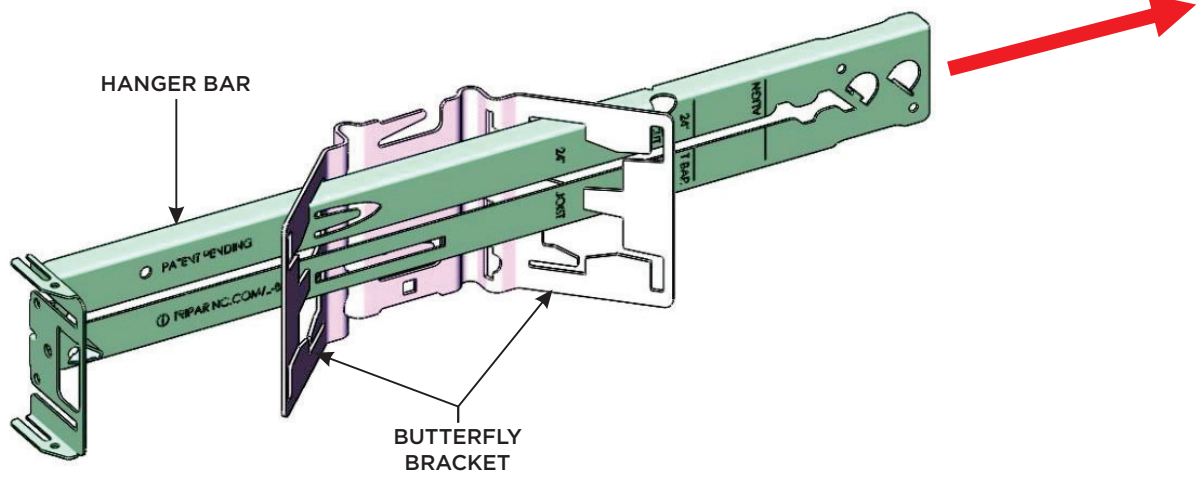
Installation videos available at www.TriparInc.com/L-Bar

SAVE THESE INSTRUCTIONS!



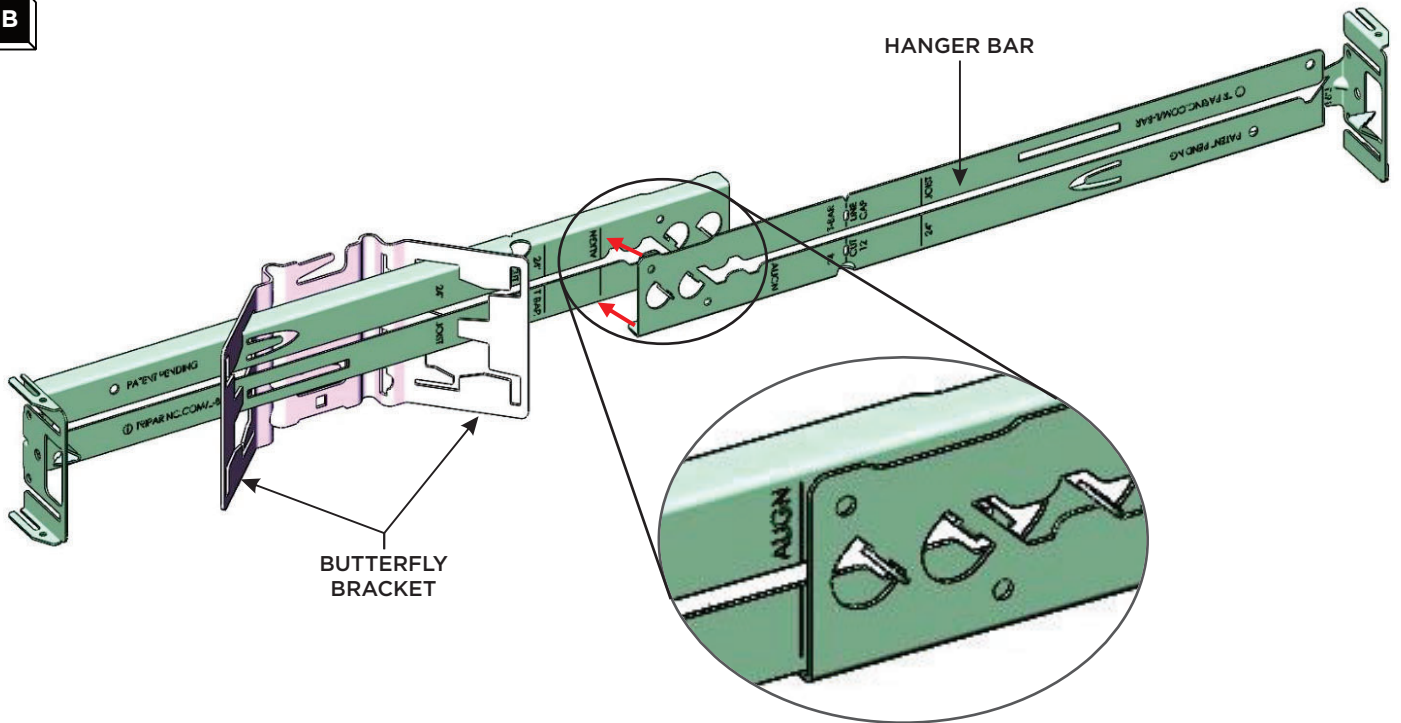
Install the Hanger Bar

1A

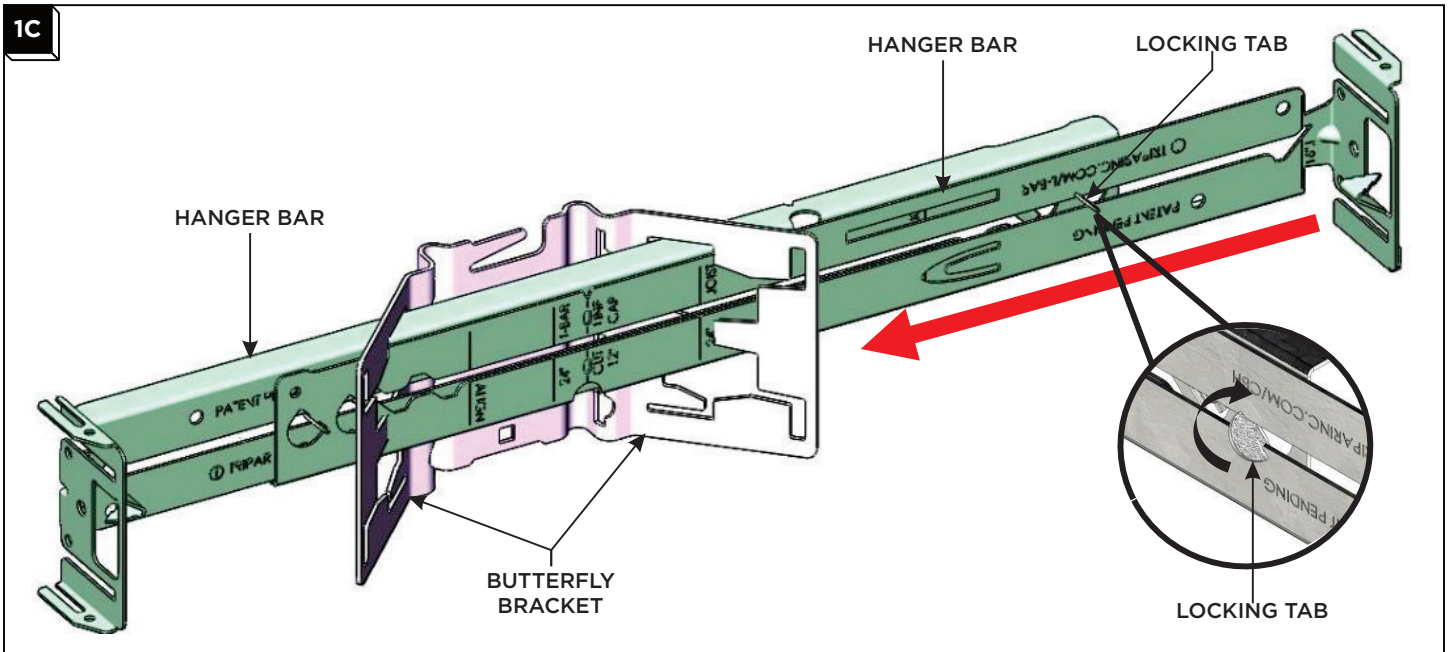


1 Slide the hanger bar into the butterfly brackets through one of the suitable locations.

1B

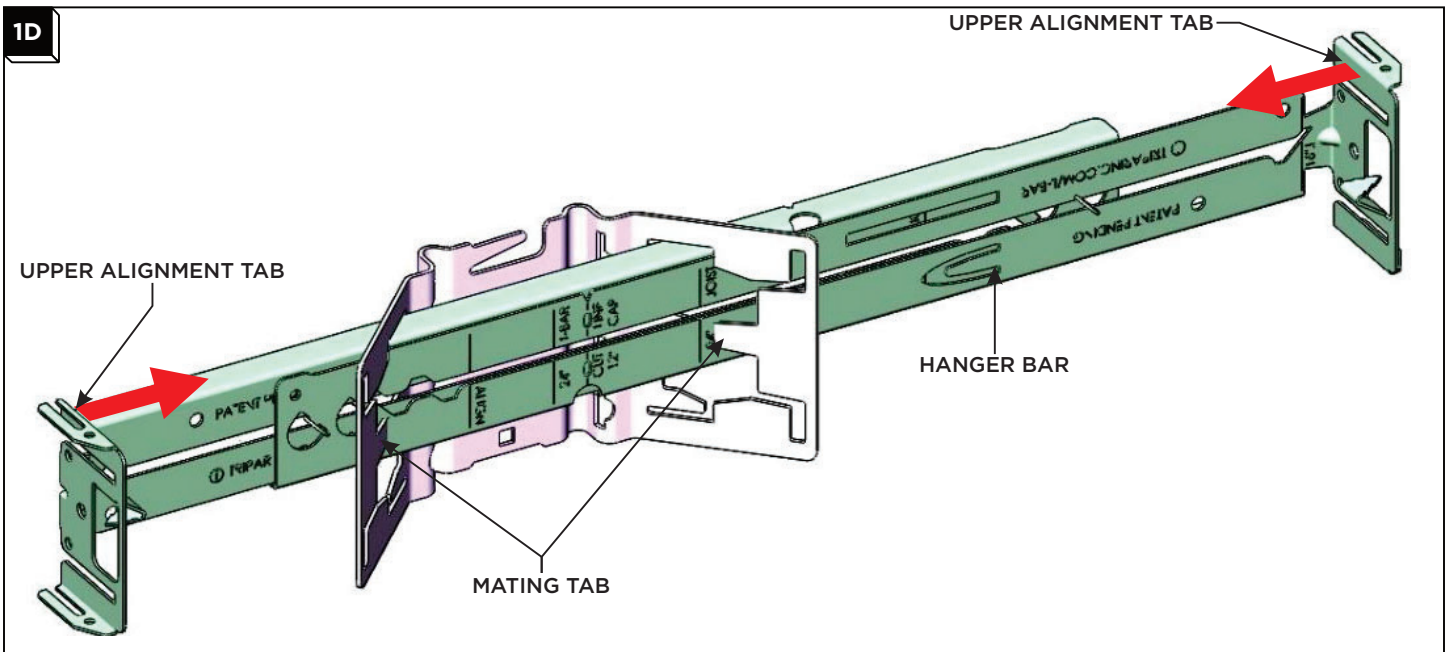


2 Invert and align the other hanger bar against the previously installed hanger bar using the "ALIGN" marking.



3 Using the markings on hanger bars that are appropriate for your joists, slide the hanger bar into the butterfly brackets until the appropriate position is achieved. **NOTE:** Slightly pinching the butterfly brackets inward eases hanger bar sliding. Over squeezing the butterfly brackets allows the hanger bars to move freely.

4 Twist the locking tab until it is vertical to secure the hanger bar's sliding position. **NOTE:** The sliding position of the hanger bars can be pre locked before mounting to the joists to ensure proper hanger bar length or unlocked while mounting to the joists to adjust as necessary.



5 Bend the upper alignment tabs inward.

6 Raise the fixture to the joists or T-bar and secure the fixture using an appropriate method for your installation using the **Hanger Bar Overview** on page 1.

7 Bend the mating tabs on the butterfly brackets to fully secure hanger bars to the fixture.

